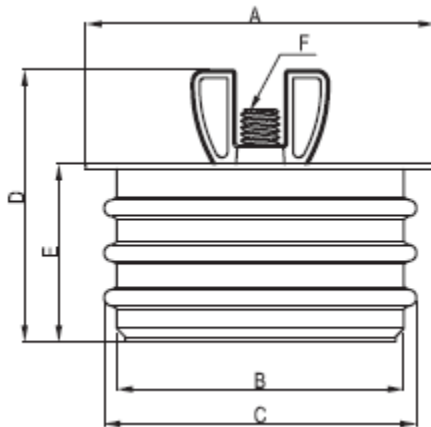
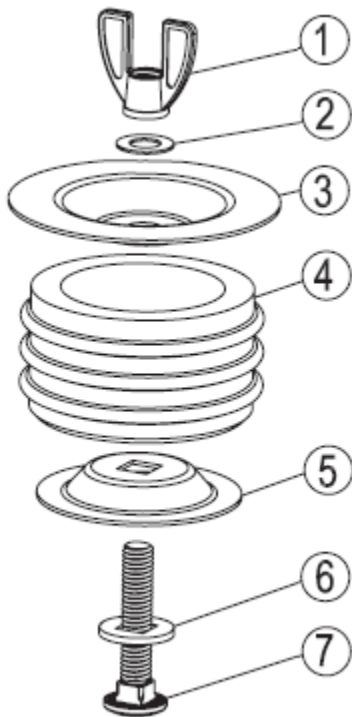


TP - Wing Nut Test Plug • Spec Sheet



FEATURES & BENEFITS

- Large Wing Nut For Easy Operation
- Engineered and Designed For Maximum Gripping Power
- Size 1-1/2" - 6"



MATERIAL SPECIFICATIONS

No.	Part	Material
1	Wing Nut	Aluminum
2	Washer	Steel
3	Upper Plate	Steel
4	Gasket	Rubber
5	Bottom Plate	Steel
6	Washer	Rubber
7	Bolt	Steel

DIMENSIONS

Part # (C)	Size	A	B	D	E	F
TP-07	1-1/2"	2-1/16"	1-5/16"	2-9/16"	1-5/16"	3/8"-16UNC-2A
TP-08	2"	2-1/4"	1-11/16"	2-9/16"	1-5/16"	3/8"-16UNC-2A
TP-10	3"	3-3/8"	2-3/4"	2-9/16"	1-5/8"	3/8"-16UNC-2A
TP-11	4"	4-3/16"	3-11/16"	2-9/16"	1-5/8"	3/8"-16UNC-2A
TP-13	6"	6-3/4"	5-3/8"	2-3/4"	2"	1/2"-13UNC-2A

